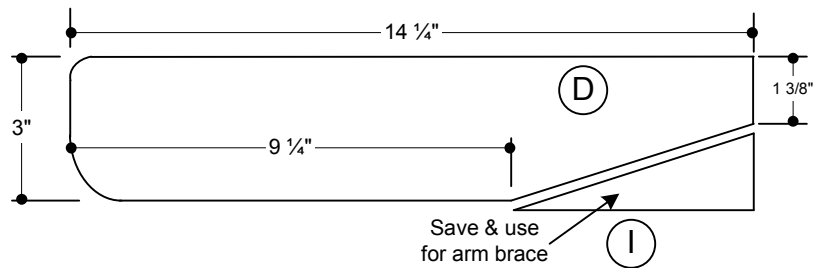
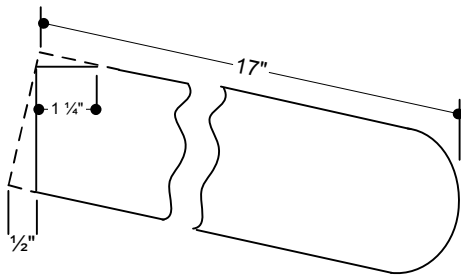
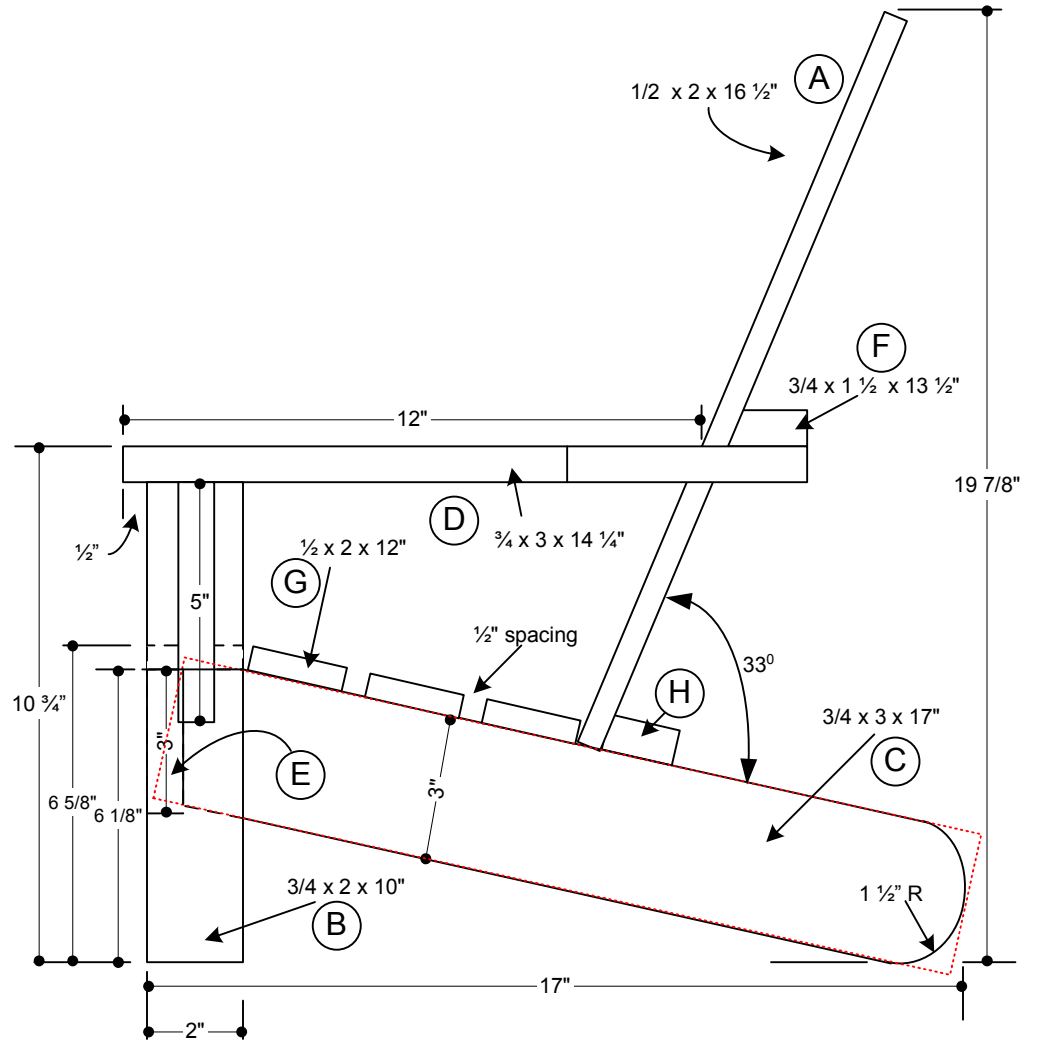


Child's Adirondack Chair

RHF
09-10-2005



Child's Adirondack Chair

RHF
09-10-2005

Material List

- A - (5) 1/2 x 2 x 16 1/2 - Seat Back
- B - (2) 3/4 x 2 x 10 - Front Legs
- C - (2) 3/4 x 3 x 17 - Seat Legs
- D - (2) 3/4 x 3 x 14 1/4 - Arms
- E - (1) 3/4 x 3 x 12 - Front Seat Brace
- F - (1) 3/4 x 1 1/2 x 13 1/2 - Seat/Arm Brace
- G - (4) 1/2 x 2 x 12 - Seat
- H - (1) 3/4 x 1 1/2 x 12 - Lower Back Brace
- I - (1) 3/4 x 1 5/8 x 5

